



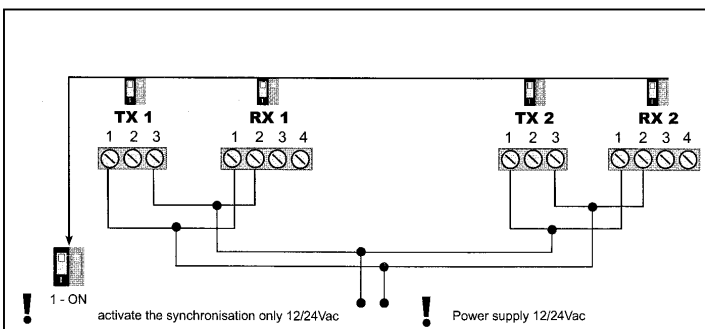
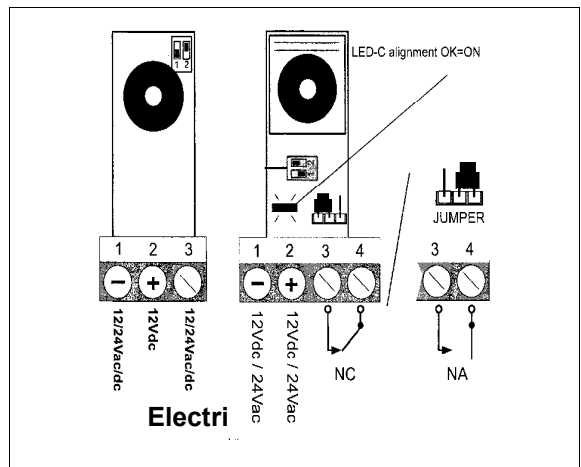
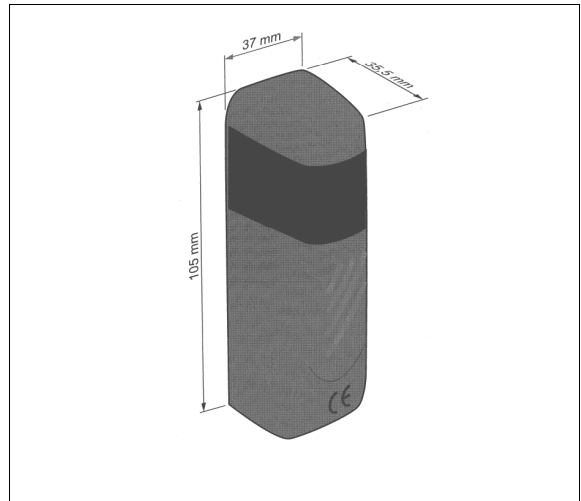
**900FOTEC**

**Infrared Point to Point Safety Photocells**



The “900FOTEC” set of infrared safety photocells, are a compact design photocell for use with Automatic Gates and Doors.

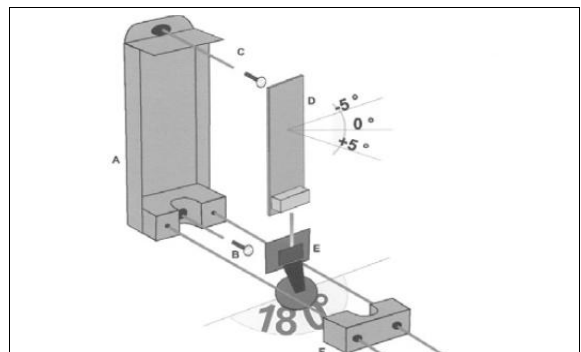
Performance	Receiver	Transmitter
<b>Sensing Distance</b>	20 metres (Range may be reduced in fog, rain etc.)	
<b>Emission</b>	Infrared	
<b>Nominal Voltage</b>	12/24V ac/dc	
<b>Output</b>	1 Relay: Com. N.O. N.C (Jumper Selectable)	N/A
<b>Alignment LED</b>	Yes	—
<b>Absorbed Power</b>	35mA	25mA
<b>Protection Degree</b>	IP 55	
<b>Mounting</b>	Surface	
<b>Beam Alignment</b>	Adjustable up to 180 <sup>0</sup>	
<b>Dimensions</b>	37mm W x 105mm H x 35.5mm D	
<b>Part Number</b>	900FOTEC (Sold as a Set)	



**Synchronising (AC Power Source only)**

For systems with two pairs of photocells, if an ac power supply is available, enable the synchronism, bearing in mind the phases of the first pair must be the same as the second pair, but in reverse.

If not, avoid installing the two receivers on the same side; it is best to alternate the transmitter with the receiver. (See instructions supplied with the 900FOTEC Photocell)



The PCB in the FOTEC Photocell Receiver and Transmitter can be swiveled and locked 180<sup>0</sup> to allow for versatile mountings.

**Adjustable 180<sup>0</sup> Horizontally**